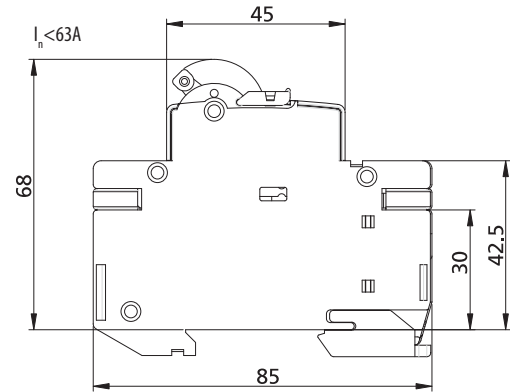


Modular Isolator 100 - 125Amp

TYPES: GSV 1100 - 4125



Technical data

Type

63-125A

Electrical

Number of poles

1p, 2p, 3p, 4p

Rated operational voltage U_e

1p: 230/400V AC, 24V DC 2p: 400V AC, 48V DC 3p, 4p: 400V AC

Rated current I_n

63, 80, 100, 125A

Rated Insulation voltage U_i

AC: 1000V; DC: 1500V

Rated impulse withstand voltage U_{imp}

4 kV

Utilization category

AC-22B; DC-22B

Rated frequency

50/60Hz AC, DC

Rated short-time withstand current I_{sw}

1500A / 1s

Rated short-circuit making capacity I_{cm}

2200A peak

Rated conditional short-circuit current

4,0kA (with 100A fuse) / 2,5kA (with 125A fuse)

Rated making capacity

400A

Rated breaking capacity

320A

Switch Type

Build-in switch-disconnector

Standard

IEC/EN 60947-3

Mechanical

Device height

68mm (DIN rail acc to EN60715)

Device width

18mm/pole

Degree of protection

IP20

Terminal capacity

1-50mm²

Terminal screw

M6 (Pozidrive PZ2)

Terminal torque

max 3Nm

Operating temperature

-25°C ... +55°C

Storage- and transport temperature

-40°C ... +70°C

Contact position indicator

mechanical red/green

Supply possibility

Top or bottom



Dokument/document		Utgava datum/edition date
Försäkran om överensstämmelse/ Declaration of conformity		29/06/2016
Avdelning/department Kvalite/Quality		
Ansvarig/prepared Magnus Arvidsson	Version 5	Sida/page 1 av/of 1

Supplier/Tillverkare:

GARO AB
Box 203
S-335 25 GNOSJO
Sweden

Telephone: +46 (0)370 33 28 00
Telefax: +46 (0)370 33 28 50

Supplier established within EU/Ombud etablerad inom EG

Telephone:
Telefax:

Supplier of equipment /Materielslag : Modular Isolator

Trade Mark/ Varumärke: GARO

Type Designation / Typbeteckning: GSV....

We hereby declare that our product fulfils the requirements of following EC directives/
Vi intygar härmed att vår produkt uppfyller krav enligt följande EU direktiv:

- The Low Voltage Directive (LVD) 2014/35/EU / Lågspänningsdirektivet (LVD) 2014/35/EU.
- Electromagnetic compatibility (EMC) 2004/108/EU / Elektromagnetisk kompatibilitet (EMC) 2004/108/EG.
- RoHS Directive (RoHS) 2011/65/EU / RoHS direktivet (RoHS) 2011/65/EG.
- No electromagnetic compatibility (EMC) immunity or emission tests are required on the assembly/
Produkten innehåller inte elektroniska apparater som påverkas enligt förbehållen enligt direktivet
(EMC) 2004/108/EG.

The following harmonised standards (latest edition) or technical specifications which comply with good engineering practice in safety matters in force within the EU have been used in the design: /

Följande harmoniserade standarder (senaste utgåva) eller tekniska specifikationer som uppfyller god säkerhetsteknik praxis inom EG har använts i konstruktionen: EN 60947-3

- The equipment conforms completely with the above stated harmonised standards or technical specifications. /
Materielen överensstämmer helt med ovan angivna harmoniserade standarder eller tekniska specifikationer.

Or/eller

- The equipment confirms only partially with the above stated harmonised standards or technical specifications but complies with good practice in safety matters in force within the EU. /
Materielen överensstämmer endast delvis med ovan angivna harmoniserade standarder eller tekniska specifikationer, men uppfyller god säkerhetsteknik praxis inom EG.

We have product surveillance according to CENELEC's harmonised requirements, documents CCA-201.

Garo AB
Company/Företag

2016-06-29
Date/Datum

Sign/Underskrift

Environmental- and Quality Manager/Kvalitets- och Miljöchef
Position/Befattning

Magnus Arvidsson
Name / Namnförtydligande